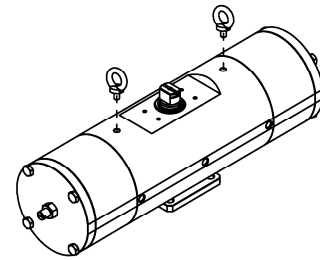
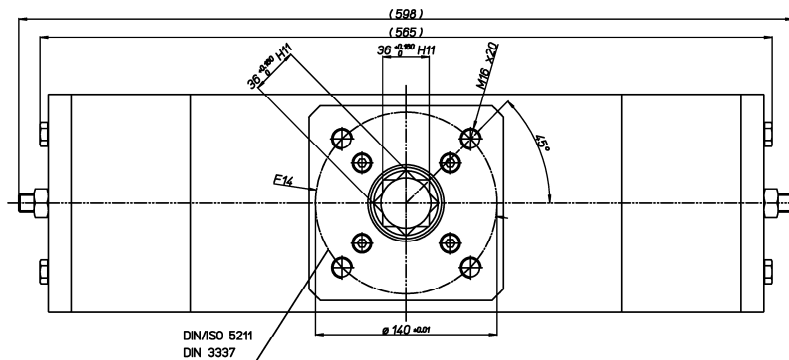


Actuator datasheet GS480F14 INOX

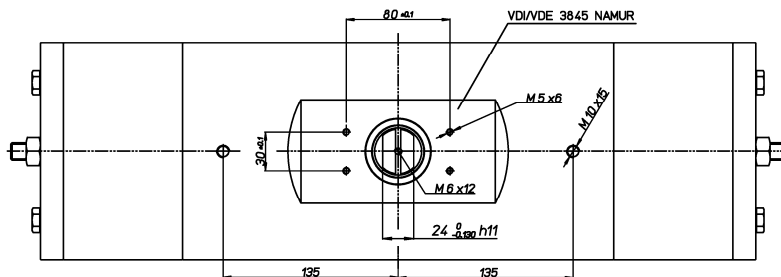
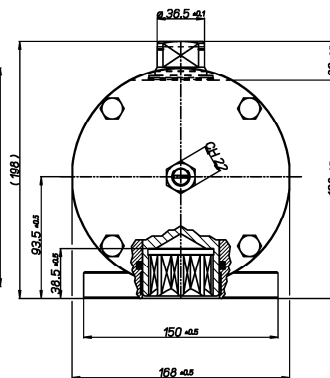
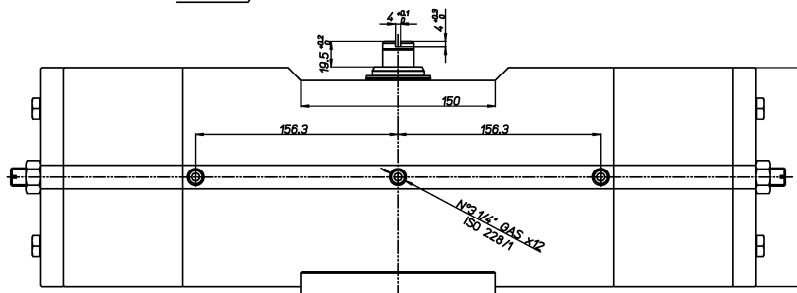
Modification reserved. Rev.date 01.2015.
No guarantee for accuracy.
Older data sheets are invalid

COMPANY WITH
MANAGEMENT SYSTEM
CERTIFIED BY DNV GL

= ISO 9001 =
= ISO 14001 =



For the lifting use n° 2 eyebolts M10
Lifting points are designed for actuator only



Function



Spring return Actuators Normally Closed (N.C.) - Output Torque related to rotation angle, in Nm (0° valve closed 90° valve open)

| Spring Torque | | | | Air pressure supply in bar | | | | | | | | | | | | | | | | | | | | | | | | | | | | | | | | | |
|---------------|-------|-------|-------|----------------------------|------|-------|-------|-------|-------|-------|-------|-------|-------|-------|-------|-------|-------|-------|-------|-------|-------|-------|-------|-------|-------|-------|-------|-------|-------|-------|-------|-------|-------|--|--|--|--|
| SIZE | 0° | 50° | 90° | 2,4 | | 2,8 | | | 3 | | | 3,5 | | | 4,2 | | | 5 | | | 5,6 | | | 6 | | | 7 | | | 8 | | | | | | | |
| | | | | 0° | 50° | 90° | 0° | 50° | 90° | 0° | 50° | 90° | 0° | 50° | 90° | 0° | 50° | 90° | 0° | 50° | 90° | 0° | 50° | 90° | 0° | 50° | 90° | 0° | 50° | 90° | | | | | | | |
| 2,8 | 160,0 | 120,0 | 240,0 | 182,9 | 85,7 | 102,9 | 240,0 | 120,0 | 160,0 | 268,6 | 137,1 | 188,6 | 340,0 | 180,0 | 260,0 | 440,0 | 240,0 | 360,0 | | | | | | | | | | | | | | | | | | | |
| 3,5 | 200,0 | 150,0 | 300,0 | | | | | | | 228,6 | 107,1 | 128,6 | 300,0 | 150,0 | 200,0 | 400,0 | 210,0 | 300,0 | 514,3 | 278,6 | 414,3 | 600,0 | 330,0 | 500,0 | | | | | | | | | | | | | |
| 4,2 | 240,0 | 180,0 | 360,0 | | | | | | | | | | 260,0 | 120,0 | 140,0 | 360,0 | 190,0 | 240,0 | 474,3 | 248,6 | 354,3 | 560,0 | 300,0 | 440,0 | 617,1 | 334,3 | 497,1 | 760,0 | 420,0 | 640,0 | 902,9 | 505,7 | 782,9 | | | | |
| 5,6 | 320,0 | 240,0 | 480,0 | | | | | | | | | | | | | | | | 394,3 | 188,6 | 234,3 | 480,0 | 240,0 | 320,0 | 537,1 | 274,3 | 377,1 | 680,0 | 360,0 | 520,0 | 822,9 | 445,7 | 662,9 | | | | |

Technical Data

| Max Pressure | ** Min Pressure | Rotation | Stroke Adjustment | Screw Stroke Adjustment | *Moving time (sec.) | | Operating temperature (°C) |
|--------------|-----------------|-----------------|-------------------|-------------------------------------|---------------------|---------|---|
| | | | | | Opening | Closing | |
| 8.4 bar | 2.4 bar | 92° -1° +91° | 10° | For 1° drive Need 1/2 turn screw | 1.8 | 2 | Standard . 20°C +80°C High temperature . 20°C +150°C Low temperature . 50°C +60°C |

| Weight Kg | Chamber Ø (mm) | Air volume L/cycle | Maximum flange torque values | Spring return Actuator with spring force 2.8, is manufactured with only one spring cap and normal end cap (available only in standard version). | A1 | CH1 | Weight Kg |
|-----------|----------------|--------------------|------------------------------|---|-----|-----|-----------|
| 60 | 125 | 2.8 | F14 = 2000 Nm | | 519 | 24 | 51 |

*The moving time could vary on different operating and installation factors.

**Attention: for High Temperature and Low Temperature version, the Min Pressure is 3.5 bar.

Operating Medium

The operating medium shall have a dew point equal to . 20 °C or, to be at least, 10 °C below the ambient temperature (ISO 8573-1, Class 3).
The maximum particle size shall not exceed 40 µm (ISO 8573-1, Class 5).