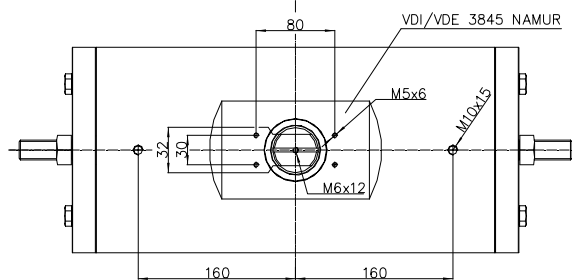
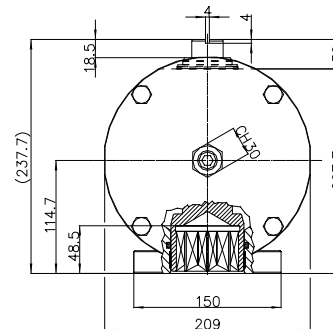
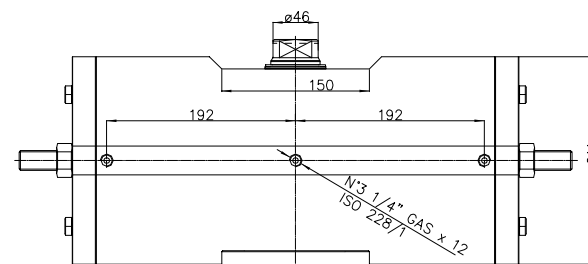


For the lifting use n° 2 eyebolts M10
Lifting point are designed for actuator only



Function



Double Acting Actuators - Output Torque related to rotation angle , in Nm (0°valve closed 90°valve open)

ROTATION ANGLE	Air pressure supply in bar							
	2,5	3	4	5	5,6	6	7	8
0°	857.1	1028.6	1371.4	1714.3	1920.0	2057.1	2400.0	2742.9
50°	428.6	514.3	685.7	857.1	960.0	1028.6	1200.0	1371.4
90°	642.9	771.4	1028.6	1285.7	1440.0	1542.9	1800.0	2057.1

Technical Data

Max Pressure	** Min Pressure	Rotation	Stroke Adjustment	Screw Stroke Adjustment	*Moving time (sec.)		Operating temperature (°C)
					Opening	Closing	
8.4 bar	1 bar	92° -1° +91°	10°	For 1° drive Need 3/4 turn screw	3.1	3.2	Standard -20°C +80°C High temperature -20°C +150°C Low temperature -50°C +60°C

Weight Kg	Chamber Ø (mm)	Air volume L/cycle	Maximum flange torque values
73	160	10.2	F12 = 1000 Nm F16 = 4000 Nm

*The moving time could vary on different operating and installation factors.

**Attention: for "High Temperature" and "Low Temperature" version, the Min Pressure is 3.bar.

Operating Medium

The operating medium shall have a dew point equal to - 20 °C or, to be at least, 10 °C below the ambient temperature (ISO 8573-1, Class 3).
The maximum particle size shall not exceed 40 µm (ISO 8573-1, Class 5).