



ACTUATECH

ACTUATOR TECHNOLOGY

LOCKING DEVICE DATASHEET

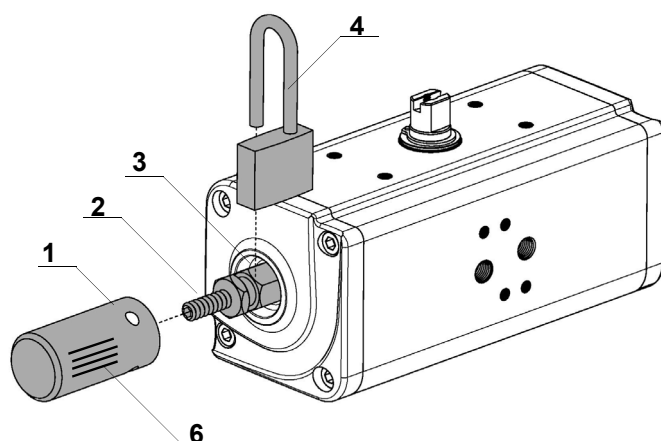
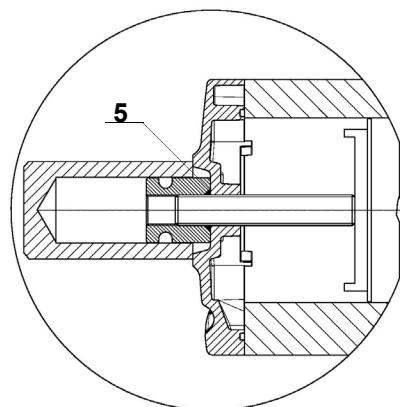
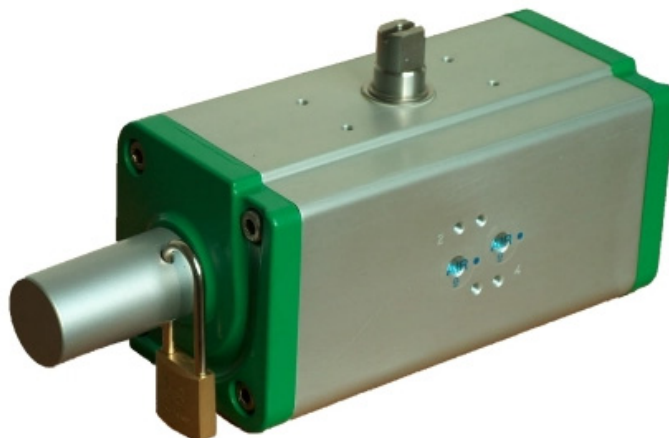
Modification reserved. Rev.date 02.2008.
No guarantee for accuracy.
Older data sheets are invalid

COMPANY
WITH QUALITY SYSTEM
CERTIFIED BY DNV
= **ISO 9001/2000** =

Actuator with locking device, valve completely open.
For locking with all closed valve the pistons have to be mounted inverted.

Locking device kit

N°	Description	Material	Quantity
1	Protection	Anodized aluminium	1
2	Regulator grub screw	Stainless Steel	1
3	Locking nut	Anodized aluminium	1
4	Lock	Arch in steel alloy, brass body	1
5	O-ring	NBR	1
6	Label	—	1



Locking with all open valve, the grub screw stops the pistons stroke and limit the stroke. (To lock with all close valve the piston have to be mounted inverted).

Dimensions (mm)

Size	GD15	GD30	GD60	GD106	GD180	GD240	GD360	GD480	GD960	GD1920
kit	KLD00012			KLD00060	KLD00019			KLD00022		KLD00026
A	199.8	215	239	275	345	368	394	461	553	672
B	59	59	59	57.6	85	85	85	114.3	114.3	123.2
C	85	85	85	85	85	85	85	85	85	85

label



ATTENTION !
Compressed Air
do not remove

